



RAM Antenna S00F101-F4

S00F101-F4 is Radio Altimeter (RAM) Antenna, designed for operating in the frequency band of 4.2 - 4.4 GHz. This antenna is compatible with military aircraft distance measuring systems and could measure distance from a ground reference by timing the propagation delay of radio signals.

Electrical design involves a radiating element printed on a high stability substrate and terminated via co-axial connector. A flush mount aerodynamic structure is provided for achieving improved performance with reduced size. This antenna design will withstand all severe environmental conditions and fulfils the military, regulatory and statutory standards. S00F101-F4 is suitable for distance measuring applications on supersonic aerodynes.

ELECTRICAL SPECIFICATION

Frequency Range	: 4.2 - 4.4 GHz
VSWR	: 2.0:1 Max (4.2 - 4.4 GHz) 1.5:1 Max (4.275 - 4.325 GHz)
Beam Width	: Roll Plane (E) - 45° min Pitch Plane (H) - 40° min
Pattern	: Directional
Impedance	: 50Ω
Polarization	: Linear
RF Power	: 5W Avg, 500W Peak
Static Protection	: By DC Grounding



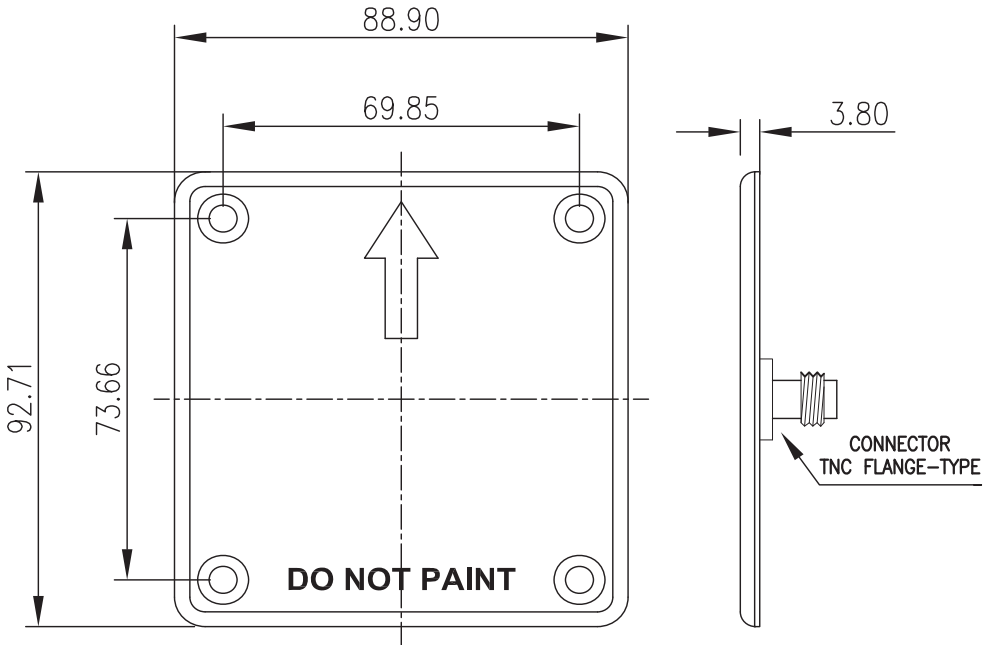
ENVIRONMENTAL SPECIFICATION

Temperature Range	: -54°C to +90°C
Altitude	: 60,000 Feet
Generally in accordance with MIL-STD-810	

MECHANICAL SPECIFICATION

Weight	: 225 Grams (Max)
Height	: 3.8 mm (Max)
Colour	: White
Finish	: Gloss
Connector	: TNC Female Standard
Dimension	: Refer Drawing Overleaf

DRAWING SPECIFICATION FOR RAM ANTENNA S00F101-F4



All dimensions are in mm
Drawing not to scale

Four counter sunk fixing hole with 5.5 mm diameter



Spectrum Antenna & Avionics Systems (P) Ltd, Cochin, India.

For installation use factory supplied drawings and instructions

Specifications are subjected to change without prior notice

Contact for custom requirements

info@spectrumantennas.com

www.spectrumantennas.com