



Telemetry Antenna S04D102-D4

S04D102-D4 is a light weight low profile blade antenna, designed for distinct applications like telemetry and miss-distance indication in the frequency band of 1710-1850 MHz .

Electrical design involves matching circuits coupled to a monopole terminated with a co-axial connector providing virtually perfect omni-directivity over the full operating range. Shell is vacuum moulded from single-piece glass to provide a rugged and reliable aerodynamic structure for withstanding the extreme environmental conditions experienced on subsonic & supersonic aerodynes. S04D102-D4 is designed to meet military, regulatory and statutory standards.

ELECTRICAL SPECIFICATION

Frequency Range	: 1710-1850 MHz
VSWR	: 1.5:1 Max
Pattern	: Nominally Omnidirectional in Azimuth
Impedance	: 50Ω
Polarization	: Vertical (Vertically Mounted)
RF Power	: 20W CW
Static Protection	: By DC Grounding



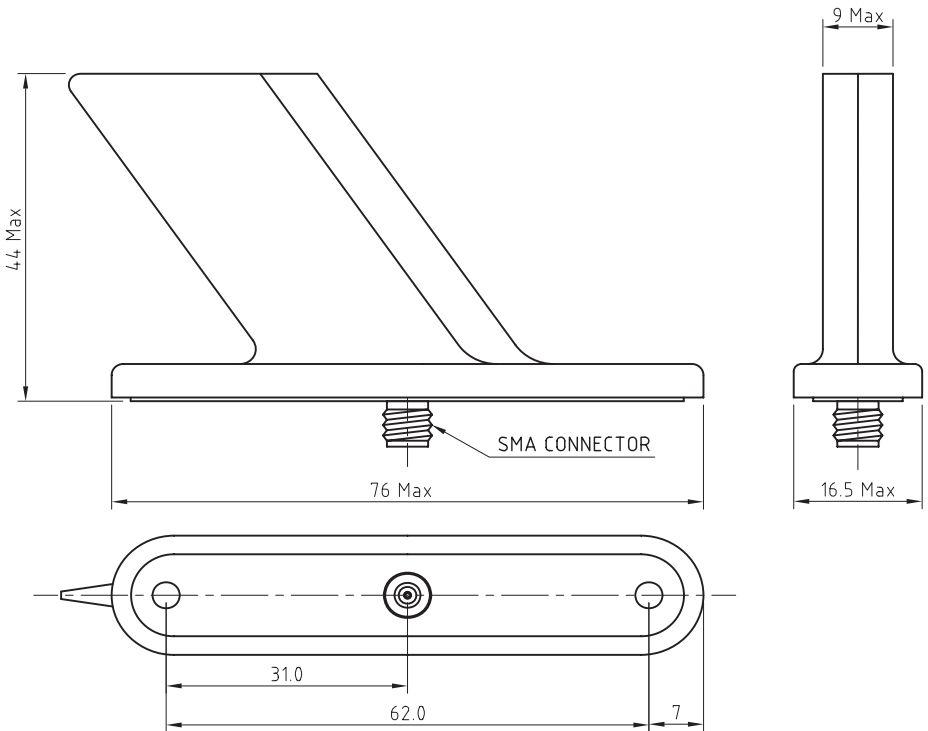
ENVIRONMENTAL SPECIFICATION

Temperature Range	: -54°C to +90°C
Altitude	: 35,000 Feet
Generally in accordance with MIL-STD-810	

MECHANICAL SPECIFICATION

Weight	: 35 Grams (Max)
Height	: 44 mm (Max)
Colour	: Black
Finish	: Mat
Connector	: SMA Female
Dimension	: Refer Drawing Overleaf

DRAWING SPECIFICATION FOR TELEMETRY ANTENNA S04D102-D4



All dimensions are in mm
Drawing not to scale

Two fixing hole with 3.5 mm diameter



Spectrum Antenna & Avionics Systems (P) Ltd, Cochin, India.

For installation use factory supplied drawings and instructions

Specifications are subjected to change without prior notice

Contact for custom requirements

info@spectrumantennas.com

www.spectrumantennas.com