



## Telemetry Antenna S04E102-E4

S04E102-E4 is a light weight low profile blade antenna, designed for telemetry application in the frequency band of 2350-2450 MHz .

Electrical design involves matching circuits coupled to a monopole terminated with a co-axial connector providing virtually perfect omni-directivity over the full operating range. Shell is vacuum moulded from single-piece glass to provide a rugged and reliable aerodynamic structure for withstanding the extreme environmental conditions experienced on subsonic & supersonic aerodynes. S04E102-E4 is designed to meet military, regulatory and statutory standards.

### ELECTRICAL SPECIFICATION

Frequency Range	: 2350-2450 MHz
VSWR	: 1.5:1 Max
Pattern	: Nominally Omnidirectional in Azimuth
Impedance	: 50Ω
Polarization	: Vertical (Vertically Mounted)
RF Power	: 25W CW



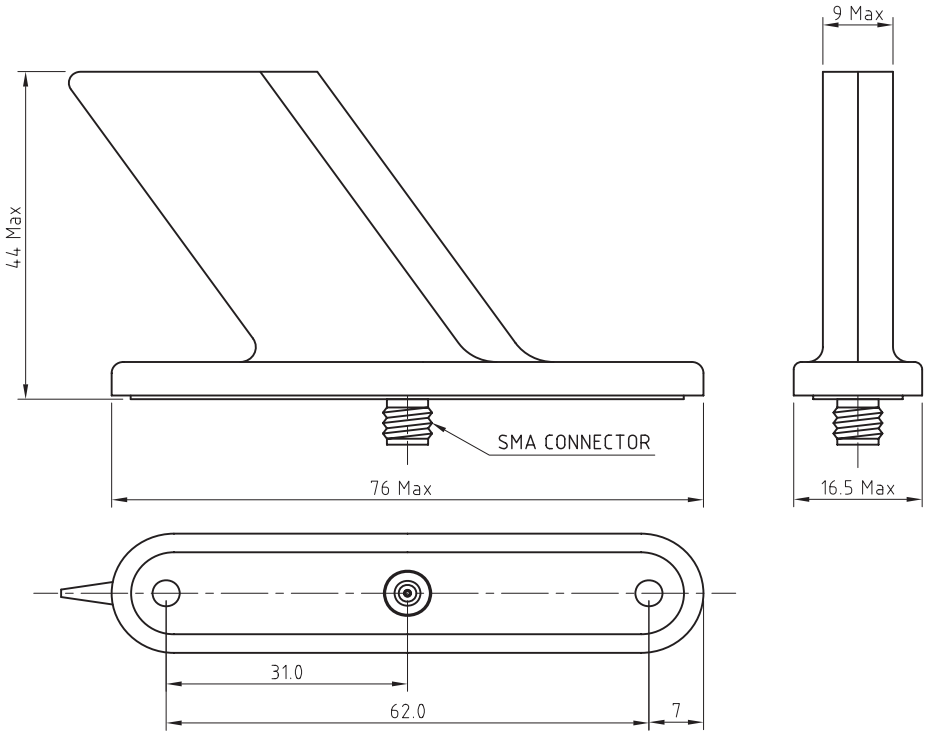
### ENVIRONMENTAL SPECIFICATION

Temperature Range	: -54°C to +90°C
Altitude	: 35,000 Feet
Generally in accordance with MIL-STD-810	

### MECHANICAL SPECIFICATION

Weight	: 25 Grams (Max)
Height	: 44 mm (Max)
Colour	: Black
Finish	: Matt
Connector	: SMA Female
Dimension	: Refer Drawing Overleaf

# DRAWING SPECIFICATION FOR TELEMETRY ANTENNA S04E102-E4



All dimensions are in mm  
Drawing not to scale

Two fixing hole with 3.5 mm diameter



For installation use factory supplied drawings and instructions

Specifications are subjected to change without prior notice

**Spectrum Antenna & Avionics Systems (P) Ltd**, Cochin, India.

Contact for custom requirements

[info@spectrumantennas.com](mailto:info@spectrumantennas.com)

[www.spectrumantennas.com](http://www.spectrumantennas.com)