



TACAN Antenna S07C102-D6

S07C102-D6 is a light weight low profile TACAN antenna, designed for operating in the frequency band of 950-1220 MHz. This antenna is compatible with military aircraft navigation systems. Electrical design involves filters and matching circuits coupled to a broadband monopole terminated with a co-axial connector. Antenna shell is vacuum moulded from single-piece fibre glass to provide a rugged and reliable aerodynamic structure for withstanding the extreme environmental conditions experienced on aircrafts. S07C102-D6 is designed to meet military, regulatory and statutory standards and is suitable for various navigational applications on supersonic and subsonic aerodynes with fixed wing or rotor wing.

ELECTRICAL SPECIFICATION

Frequency Range	: 950-1220 MHz
VSWR	: 1.50:1 Max (950-1200 MHz) 1.15:1 Max (1020-1100 MHz)
Pattern	: Nominally Omnidirectional in Azimuth
Impedance	: 50Ω
Polarization	: Vertical (Vertically Mounted)
RF Power	: 4 KW Peak, 40W Avg. @ duty cycle 1% (max)
Static Protection	: By DC Grounding



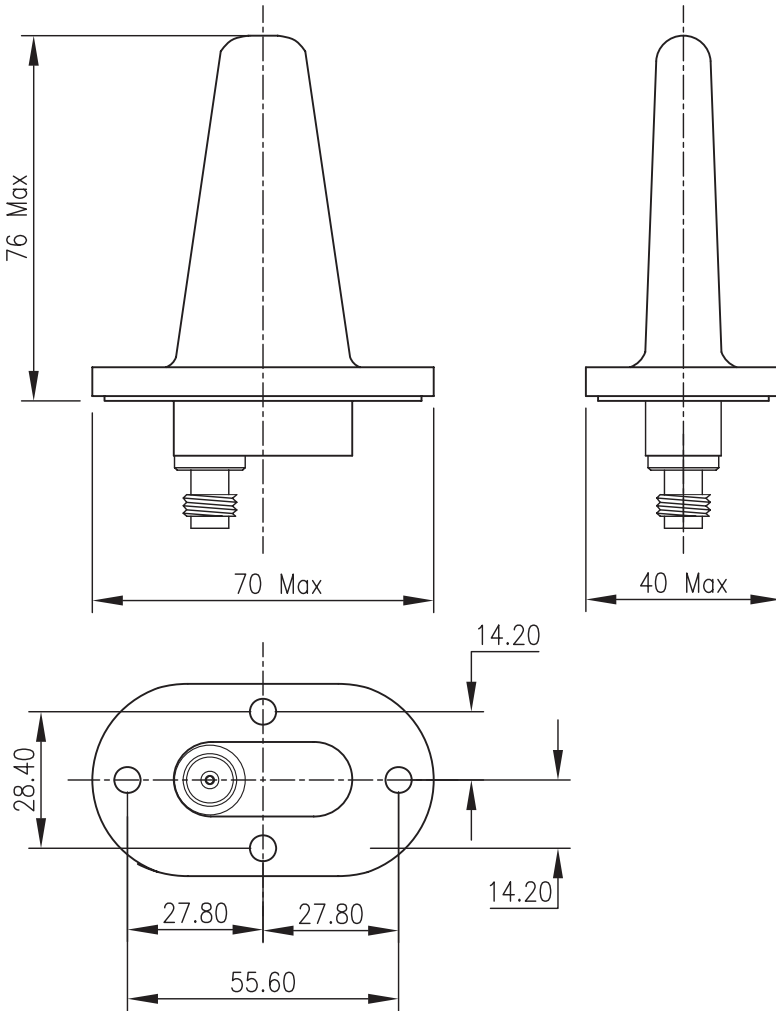
ENVIRONMENTAL SPECIFICATION

Temperature Range	: -54°C to +90°C
Altitude	: 60,000 Feet
Generally in accordance with MIL-STD-810	

MECHANICAL SPECIFICATION

Weight	: 85 Grams (Max)
Height	: 76 mm (Max)
Colour	: Black
Finish	: Mat
Connector	: TNC Female Standard
Dimension	: Refer Drawing Overleaf

DRAWING SPECIFICATION FOR TACAN ANTENNA S07C102-D6



All dimensions are in mm

Drawing not to scale

Four fixing hole with 5.5 mm diameter

Counter-bored 12.7 mm



For installation use factory supplied drawings and instructions

Spectrum Antenna & Avionic Systems (P) Ltd, Cochin, India.

Contact for custom requirements

info@spectrumantennas.com

www.spectrumantennas.com