



## IFF Antenna S07C202-D6

S07C202-D6 is a light weight low profile IFF antenna, designed for operating in the frequency band of 950-1250 MHz. This antenna is compatible with military aircraft IFF systems.

Electrical design involves filters and matching circuits coupled to a broadband monopole terminated with a co-axial connector providing virtually perfect omni-directivity over the full operating range. The antenna is provided with a electrically coupled test probe for online system testing. Shell is vacuum moulded from single-piece glass to provide a rugged and reliable aerodynamic structure for withstanding the extreme environmental conditions experienced on military aircrafts. S07C202-D6 is designed to meet military, regulatory and statutory standards.

### ELECTRICAL SPECIFICATION

Frequency Range	: 950-1250 MHz
VSWR	: 1.7:1 Max (950-1250 MHz) 1.15:1 Max (1020-1100 MHz)
Test Probe	: 18 dB ( $\pm$ 0.75dB) Isolation at 1090 MHz
Pattern	: Nominally Omnidirectional in Azimuth
Impedance	: 50 $\Omega$
Polarization	: Vertical (Vertically Mounted)
RF Power	: 1 KW Peak, 15W Mean at 35000 Feet
Static Protection	: By DC Grounding



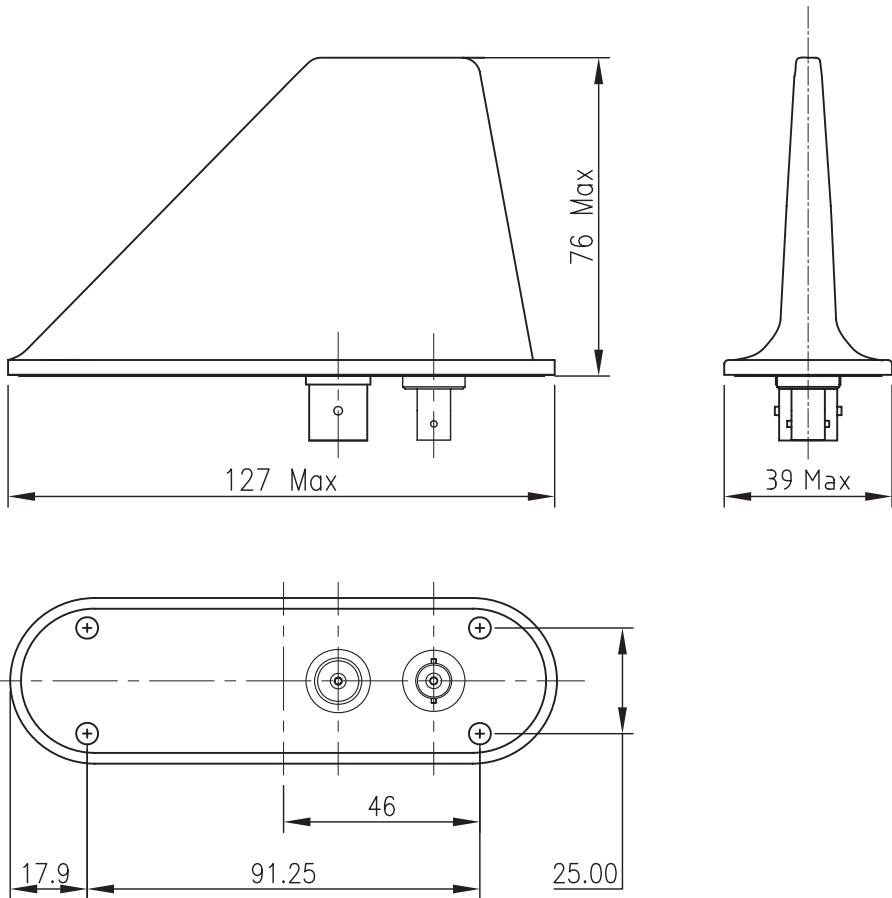
### ENVIRONMENTAL SPECIFICATION

Temperature Range	: -54°C to +90°C
Altitude	: 50,000 Feet
Generally in accordance with MIL-STD-810	

### MECHANICAL SPECIFICATION

Weight	: 125 Grams (Max)
Height	: 76 mm (Max)
Colour	: Black
Finish	: Mat
Connector	: Aerial Feed - C Female Standard Test Probe - BNC Female Standard
Dimension	: Refer Drawing Overleaf

# DRAWING SPECIFICATION FOR IFF ANTENNA S07C202-D6



All dimensions are in mm

Drawing not to scale

Four fixing hole with 5.1 mm diameter

Counter-bored 12.7 mm



For installation use factory supplied drawings and instructions

**Spectrum Antenna & Avionics Systems (P) Ltd**, Cochin, India.

Contact for custom requirements

[info@spectrumantennas.com](mailto:info@spectrumantennas.com)

[www.spectrumantennas.com](http://www.spectrumantennas.com)