



## UHF Antenna S12C102-C0

S12C102-C0 is a vertically polarized low profile UHF blade antenna, designed for omni-directional transmission and reception in the frequency band of 700-790 MHz.

Electrical design consists of matching circuits coupled to a single co-axial connector to provide UHF electrical characteristics. The antenna comprises of a fiber glass vacuum moulded aerodynamic shell in single-piece, designed for a rugged and reliable structure providing environmental and mechanical integrity to fulfill military, regulatory and statutory standards. S12C102-C0 is suitable for various communication application on subsonic aerodynes with fixed wing or rotor wing.

### ELECTRICAL SPECIFICATION

Frequency Range	: 700-790 MHz
VSWR	: 2.0:1 Max
Pattern	: Nominally Omnidirectional in Azimuth
Impedance	: 50Ω
Polarization	: Vertical (Vertically Mounted)



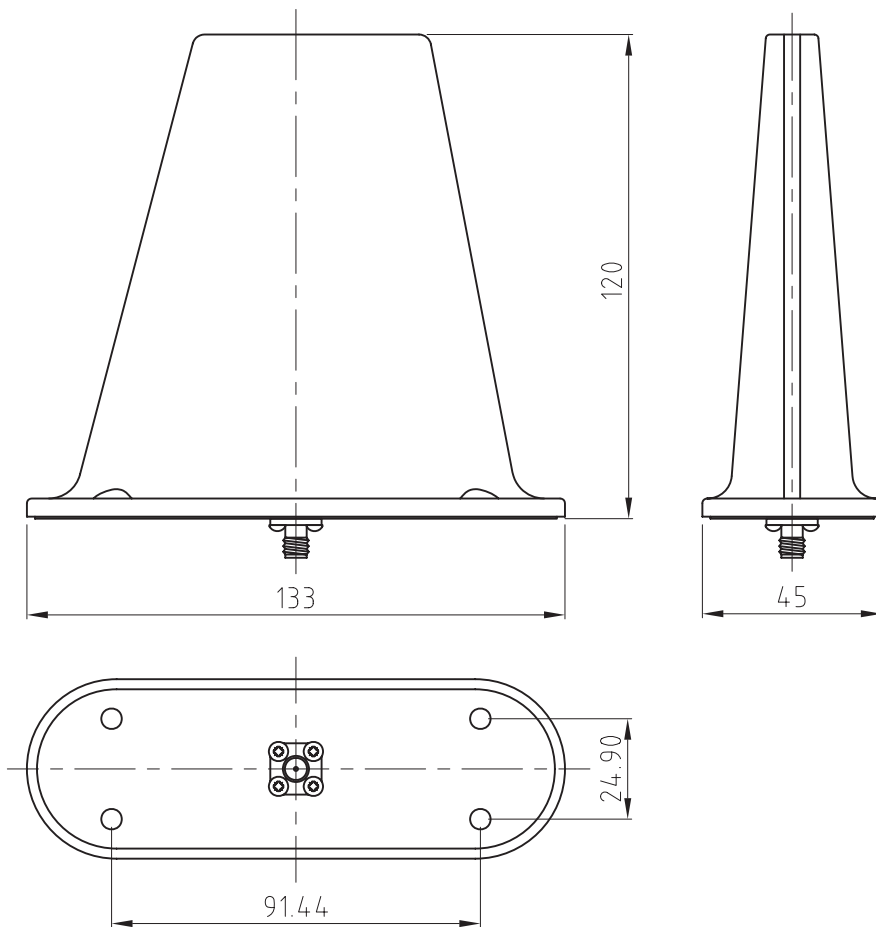
### ENVIRONMENTAL SPECIFICATION

Temperature Range	: -54°C to +90°C
Altitude	: 50,000 Feet
Generally in accordance with MIL-STD-810	

### MECHANICAL SPECIFICATION

Weight	: 198 Grams (Max)
Height	: 120 mm (Max)
Colour	: Black
Finish	: Matt
Connector	: SMA Female Standard
Dimension	: Refer Drawing Overleaf

# DRAWING SPECIFICATION FOR UHF ANTENNA S12C102-C0



All dimensions are in mm

Drawing not to scale

Four fixing hole with 5.1 mm diameter



For installation use factory supplied drawings and instructions

Specifications are subjected to change without prior notice

**Spectrum Antenna & Avionics Systems (P) Ltd**, Cochin, India.

Contact for custom requirements

[info@spectrumantennas.com](mailto:info@spectrumantennas.com)

[www.spectrumantennas.com](http://www.spectrumantennas.com)