



UHF Antenna S17C101-C5

S17C101-C5 is a vertically polarized low profile UHF broadband blade antenna, designed for omnidirectional transmission and reception in the frequency band of 400-600 MHz.

Electrical design consists of broadband matching circuits coupled to a single co-axial connector to provide UHF electrical characteristics. The antenna comprises of a fiber glass vacuum moulded aerodynamic shell in single-piece, designed for a rugged and reliable structure providing environmental and mechanical integrity to fulfill military, regulatory and statutory standards. S17C101-C5 is suitable for various communication application on supersonic and subsonic aerodynes with fixed wing or rotor wing.

ELECTRICAL SPECIFICATION

Frequency Range	: 400-600 MHz
VSWR	: 2.0:1 Max
Pattern	: Nominally Omnidirectional in Azimuth
Impedance	: 50Ω
Polarization	: Vertical (Vertically Mounted)
RF Power	: 35W CW
Static Protection	: By DC Grounding



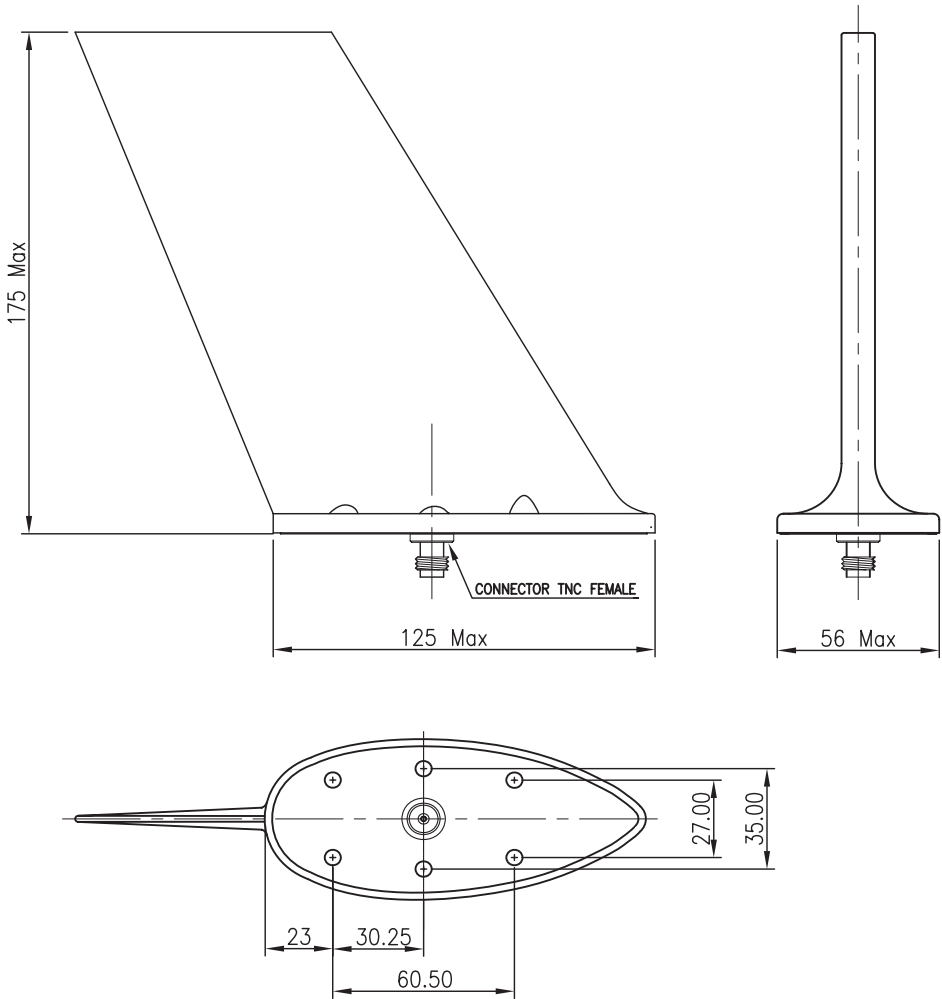
ENVIRONMENTAL SPECIFICATION

Temperature Range	: -54°C to +90°C
Altitude	: 60,000 Feet
Generally in accordance with MIL-STD-810	

MECHANICAL SPECIFICATION

Weight	: 360 Grams (Max)
Height	: 175 mm (Max)
Colour	: White
Finish	: Gloss
Connector	: TNC Female Standard
Dimension	: Refer Drawing Overleaf

DRAWING SPECIFICATION FOR UHF ANTENNA S17C101-C5



All dimensions are in mm
Drawing not to scale

Six fixing hole with 5.5 mm diameter
Counter-bored 10.0 mm



For installation use factory supplied drawings and instructions

Spectrum Antenna & Avionics Systems (P) Ltd, Cochin, India.

Contact for custom requirements

info@spectrumantennas.com

www.spectrumantennas.com