



UHF Antenna S21C101-C3

S21C101-C3 is light weight, low drag, UHF broad band whip antenna, designed for operating in the frequency band of 300-960 MHz.

Electrical design involves matching circuits coupled to a monopole terminated with co-axial connector providing virtually perfect omni-directivity over the full operating range. The antenna is constructed of chrome-plated phosphor bronze stub set in a teflon insulator. This antenna is suitable for various communication applications on subsonic aerodynes with fixed wing or rotor wing.

ELECTRICAL SPECIFICATION

Frequency Range	: 300-960 MHz
VSWR	: 2.5:1 Max
Pattern	: Nominally Omnidirectional in Azimuth
Impedance	: 50Ω
Polarization	: Vertical (Vertically Mounted)



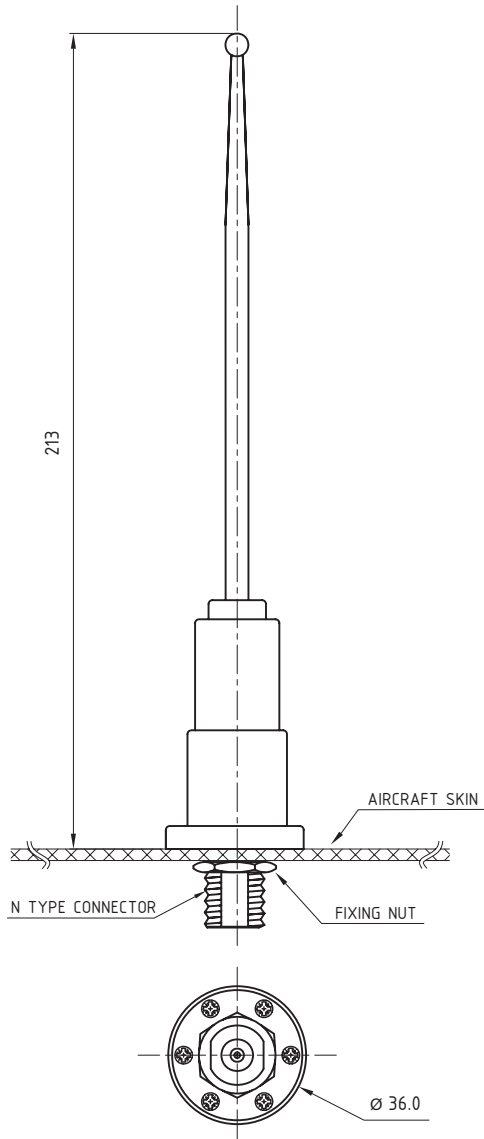
ENVIRONMENTAL SPECIFICATION

Temperature Range	: -54°C to +90°C
Altitude	: 50,000 Feet
Generally in accordance with MIL-STD-810	

MECHANICAL SPECIFICATION

Weight	: 115 Grams (Max)
Height	: 213 mm (Max)
Connector	: N Female Standard
Dimension	: Refer Drawing Overleaf

DRAWING SPECIFICATION FOR UHF ANTENNA S21C101-C3



All dimensions are in mm
Drawing not to scale



For installation use factory supplied drawings and instructions

Specifications are subjected to change without prior notice

Spectrum Antenna & Avionics Systems (P) Ltd, Cochin, India.

Contact for custom requirements

info@spectrumantennas.com

www.spectrumantennas.com