



V/UHF Antenna S30B101-C0

S30B101-C0 is a light weight, vertically polarized V/UHF top loaded blade antenna, designed for omni-directional transmission and reception in the frequency band of 30-550 MHz. Electrical design consists of broadband matching circuits coupled to a single co-axial connector to provide VHF and UHF electrical characteristics. The antenna comprises of a fiber glass vacuum moulded aerodynamic shell, designed for a rugged and reliable structure providing environmental and mechanical integrity to fulfill military, regulatory and statutory standards. S30B101-C0 is suitable for various communication application on UAV's and subsonic aerodynes with fixed wing or rotor wing.

ELECTRICAL SPECIFICATION

Frequency Range	: 30-550 MHz
VSWR	: 2.7:1 Max
Pattern	: Nominally Omnidirectional in Azimuth
Impedance	: 50Ω
Polarization	: Vertical (Vertically Mounted)
RF Power	: 35W CW
Static Protection	: By DC Grounding



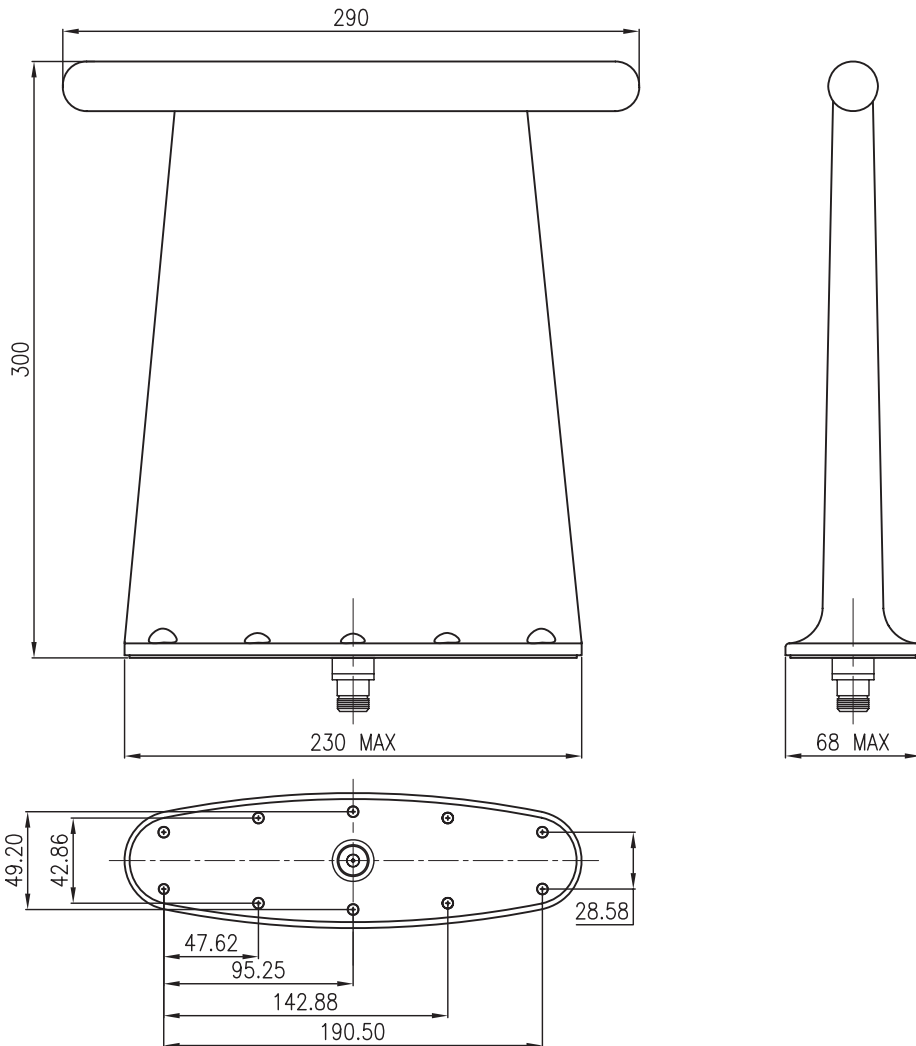
ENVIRONMENTAL SPECIFICATION

Temperature Range	: -54°C to +90°C
Altitude	: 50,000 Feet
Generally in accordance with MIL-STD-810	

MECHANICAL SPECIFICATION

Weight	: 1200 Grams (Max)
Height	: 300 mm (Max)
Colour	: White
Finish	: Gloss
Connector	: N Female Standard
Dimension	: Refer Drawing Overleaf

DRAWING SPECIFICATION FOR V/UHF ANTENNA S30B101-C0



All dimensions are in mm

Drawing not to scale

Ten fixing hole with 5.5 mm diameter

Counter-bored 11.6 mm



For installation use factory supplied drawings and instructions

Spectrum Antenna & Avionics Systems (P) Ltd, Cochin, India.

Contact for custom requirements

info@spectrumantennas.com

www.spectrumantennas.com