

V/UHF Dipole Blade Antenna S64A101-D6

S64A101-D6 is a light weight, ground plane independent V/UHF Broadband Dipole Blade Antenna, designed for operating in the frequency band of 20-1200MHz, and compatible with military communication systems. Electrical design consists of filter networks and matching circuits coupled to a single co-axial connector to provide broadband electrical characteristics. The antenna comprises of a fiber glass vacuum moulded aerodynamic shell in single-piece, designed for a rugged and reliable structure providing environmental and mechanical integrity to full fill military, regulatory and statutory standards. S64A101-D6 is suitable for various communication, navigation and reconnaissance application on Unmanned Aerial Vehicle.

ELECTRICAL SPECIFICATION

Frequency Range	: 20-1200 MHZ
VSWR	: 3.5:1(MAX)
Pattern	: Omni Directional
Impedance	: 50Ω
Polarization	: Vertical
RF Power	: 25 W
Static Protection	: By DC Grounding



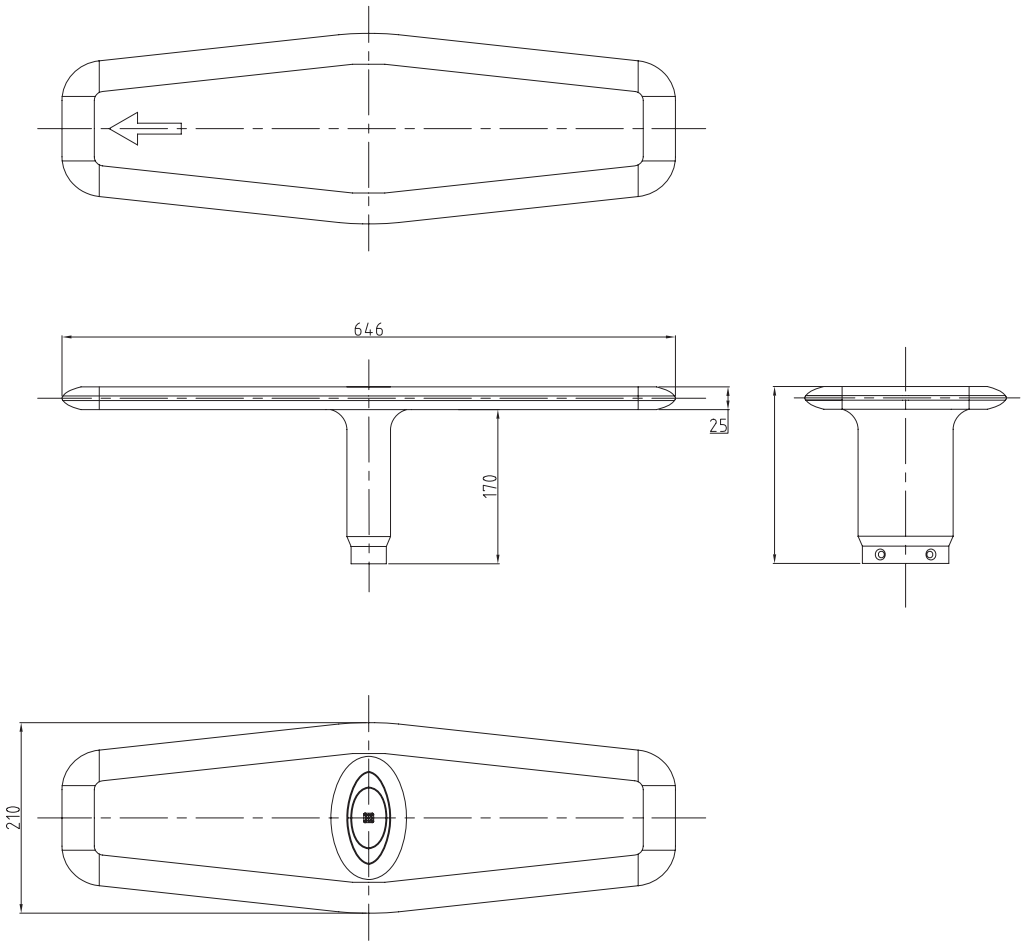
ENVIRONMENTAL SPECIFICATION

Temperature Range	: -54°C to +71°C
Altitude	: 50,000 Feet
Generally in accordance with MIL-STD-810	

MECHANICAL SPECIFICATION

Weight	: 1100 Grams (Max)
Height	: 646 mm (Max)
Colour	: Black
Finish	: Matt
Connector	: SMA Female (Flange)
Dimension	: Refer Drawing Overleaf

DRAWING SPECIFICATION FOR V/UHF DIPOLE BLADE ANTENNA S64A101-D6



All dimensions are in mm
Drawing not to scale



For installation use factory supplied drawings and instructions

Spectrum Antenna & Avionics Systems (P) Ltd, Cochin, India.

Contact for custom requirements

info@spectrumantennas.com

www.spectrumantennas.com