

V/UHF-L BAND Antenna S41B101-D5

S41B101-D5 is an Omni-directional, linearly polarized and multipurpose dual band antenna operating in the frequency band of 30-512MHz and 950-1250MHz. A common aperture is used for both the VHF and L-band communications and also operating with massive 50dB isolation between bands. The isolation and broad-banding performance is maintained using matching circuits coupled to co-axial connectors. The antenna comprises of a fiber glass vacuum moulded aerodynamic shell in single-piece, designed for a rugged and reliable structure providing environmental and mechanical integrity to fulfill military, regulatory and statutory standards. This miniaturised dual band monopole blade antenna is used for several applications including communications for UAV and ALH platforms.

ELECTRICAL SPECIFICATION

Frequency Range	: 30 - 512MHZ
	950 - 1250MHZ
VSWR	: $\leq 2.7:1$ Max (30 - 175MHz)
	$\leq 2.0:1$ Max (175 - 512MHz)
	$\leq 2.0:1$ Max (950 - 1250MHz)
Polarization	: Vertical
Radiation Pattern	: Omni directional in Azimuth
Impedance	: 50 Ω
Isolation	: ≥ 50 dB between bands
Power	: 35 Watts
Static Protection	: By DC Grounding



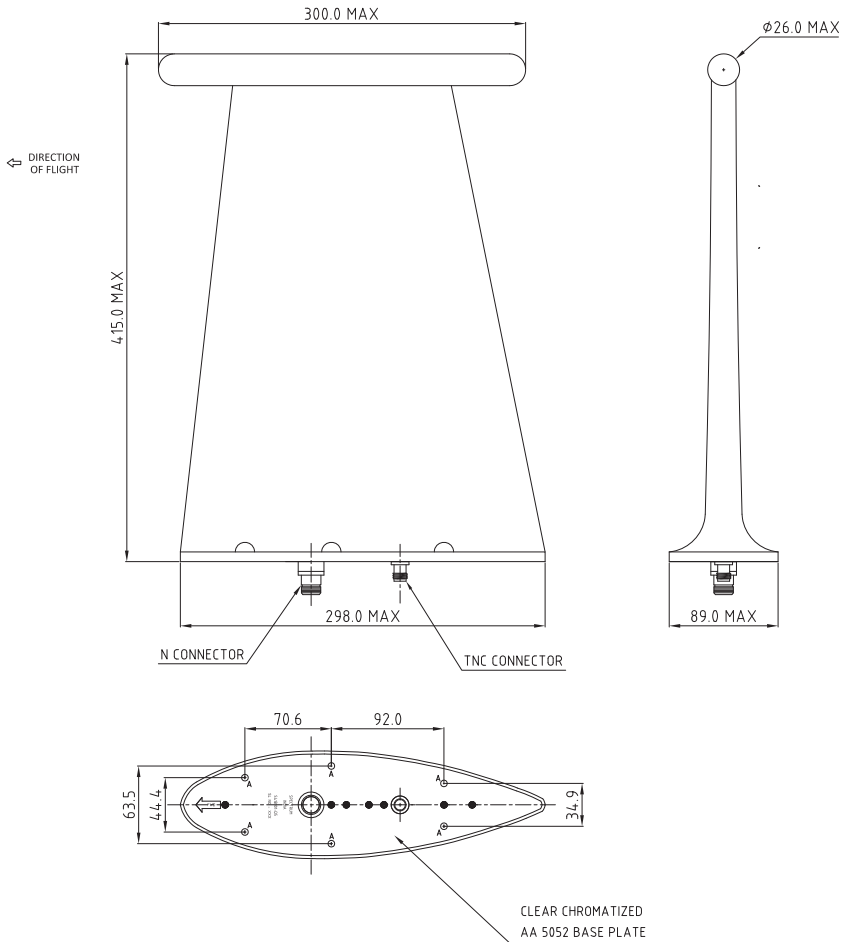
ENVIRONMENTAL SPECIFICATION

Temperature Range	: -54°C to +90°C
Altitude	: 50,000 Feet
Generally in accordance with MIL-STD-810	

MECHANICAL SPECIFICATION

Weight	: 1700 Grams (Max)
Height	: 415 mm (Max)
Colour	: Black
Connector	: N Female for V/UHF Band TNC Female for L Band
Radome	: Reinforced Glass Epoxy

DRAWING SPECIFICATION FOR V/UHF-L BAND ANTENNA S41B101-D5



All dimensions are in mm
Drawing not to scale

Six fixing hole with 5.4 mm diameter
Counter bored 12.7mm



Spectrum Antenna & Avionics Systems (P) Ltd, Cochin, India.

For installation use factory supplied drawings and instructions

Specifications are subjected to change without prior notice

Contact for custom requirements

info@spectrumantennas.com

www.spectrumantennas.com