



ELT Antenna S35B101-C5

S35B101-C5 is a vertically polarized Emergency Locator Transmitter Antenna, designed for transmission in the frequency band of 121.5, 243 and 406MHz in a unique compact design.

An Emergency Locator Transmitter (ELT) is an emergency beacon used in aircrafts to alert rescue authorities and to indicate the location and the identity of an aircraft in distress. The signal of the ELT is detected by the COSPAS - SARSAT satellite network and then alerted to the nearest rescue authority.

Rugged and reliable structure providing environmental and mechanical integrity to full fill military, regulatory standards. The ELT antenna is developed as per TSO C126 of the FAA standards.

ELECTRICAL SPECIFICATION

Frequency Range	: 121.5, 243 and 406MHz
	: $\leq 2.0:1$ @ 121.5, 243MHz
VSWR	: $\leq 1.7:1$ @ 406MHz
Polarization	: Vertical
Impedance	: 50Ω
Power	: 40 Watt



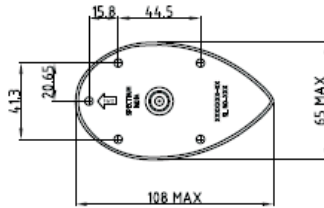
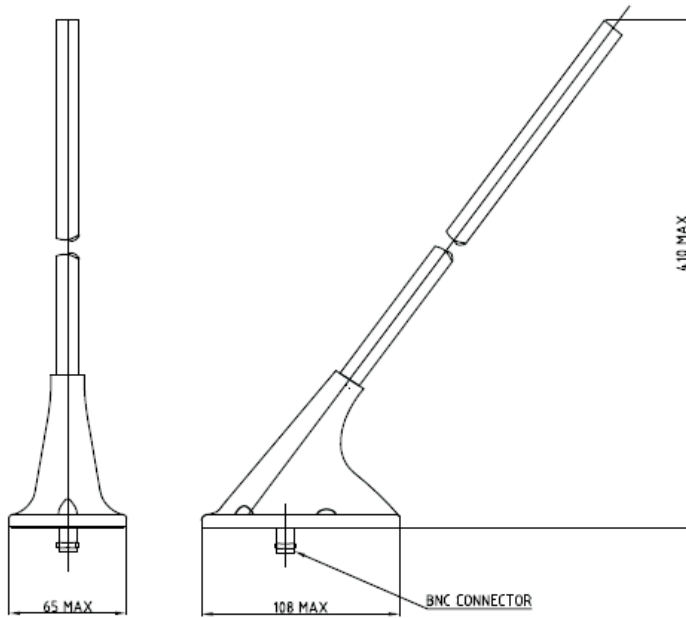
ENVIRONMENTAL SPECIFICATION

Temperature Range	: -40°C to $+90^{\circ}\text{C}$
Altitude	: 60,000 Feet
Generally in accordance with MIL-STD-810	

MECHANICAL SPECIFICATION

Weight	: 300 Grams (Max)
Height	: 410 mm (Max)
Colour	: White
Connector	: BNC Female Standard
Radome	: Reinforced Glass Epoxy

DRAWING SPECIFICATION FOR GPS ANTENNA S35B101-C5



All dimensions are in mm
Drawing not to scale

Five fixing hole with 4.4 mm diameter
Counter bored 10 mm



For installation use factory supplied drawings and instructions

Specifications are subjected to change without prior notice

Spectrum Antenna & Avionics Systems (P) Ltd, Cochin, India.

Contact for custom requirements

info@spectrumantennas.com

www.spectrumantennas.com