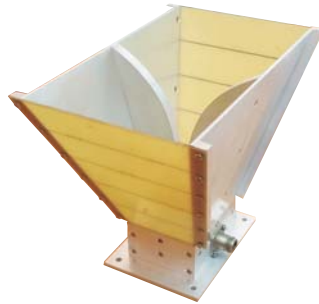


HORN Antenna S19D101-G7

S19D101-G7 is a linearly polarized double ridged horn antenna working in the frequency range of 1 to 12GHz. The broadband horn antenna offers wide bandwidth and maximum vswr of 2.5:1. The compact size and increasing gain with frequency adds to its efficiency. The input of this antenna is a female N-connector with high power handling capability. This antenna is suitable for transmission and receiving applications also ideal for EMI/EMC/RF measurements. The precision design and chromatinization makes it rugged and corrosion resistant as well.

ELECTRICAL SPECIFICATION

| | |
|-------------------|--|
| Frequency Range | : 1GHz - 12GHz |
| VSWR | : $\leq 2.0:1$ (Typical) $\leq 2.5:1$ (Max) |
| Polarization | : Linear |
| Radiation Pattern | : Directional |
| Impedance | : 50Ω |
| Power | : 100 W CW |



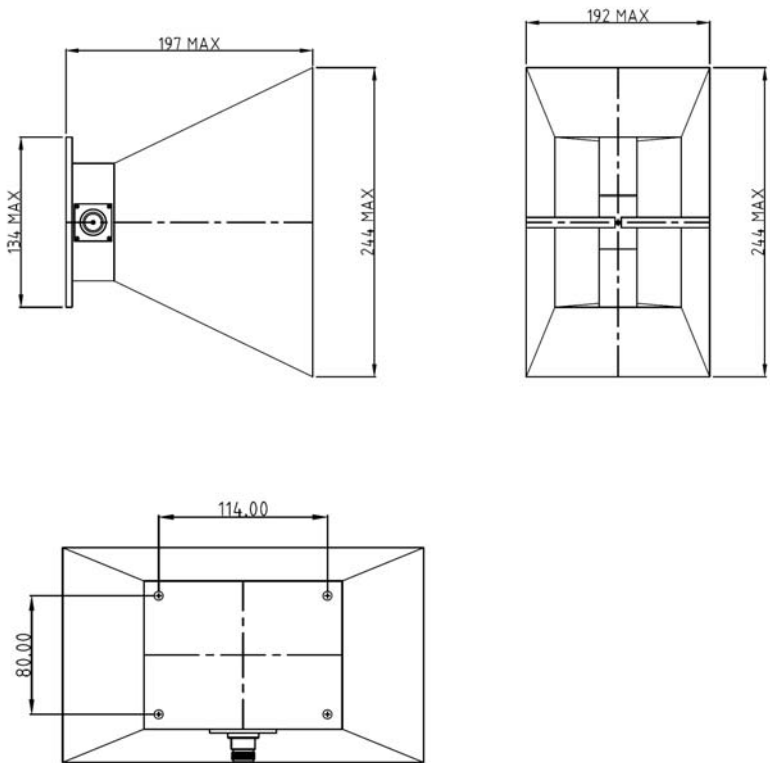
ENVIRONMENTAL SPECIFICATION

| | |
|--|--|
| Temperature Range | : -40°C to $+85^{\circ}\text{C}$ |
| Generally in accordance with MIL-STD-810 | |

MECHANICAL SPECIFICATION

| | |
|------------------|-----------------------|
| Weight | : 1.5 Kg (Max) |
| Dimension(LxWxH) | : 197x192x244 (Max) |
| Material | : Aluminium |
| Connector | : N Female Standard |
| Finish | : Clear Chromatinized |

DRAWING SPECIFICATION FOR HORN ANTENNA S19D101-G7



All dimensions are in mm
Drawing not to scale

Four fixing holes with 6mm diameter



For installation use factory supplied drawings and instructions

Specifications are subjected to change without prior notice

Spectrum Antenna & Avionics Systems (P) Ltd, Cochin, India.

Contact for custom requirements

info@spectrumantennas.com

www.spectrumantennas.com