



GPS Antenna S01D101-D6

S01D101-D6 is a active GPS Antenna, designed for operating and providing coverage in the frequency band of 1575.42MHZ.

Electrical design involves a radiating element printed on a high stability substrate and terminated via co-axial connector. Almost flush mount aerodynamic structure is provided for achieving improved performance with reduced size. This antenna is design with an intention to withstand all sever environmental conditions experienced on high speed military aircrafts and fulfil regulatory standards. S01D101-D6 is suitable for surveying applications on fixed wing & rotor wing, subsonic / supersonic aerodynes.

ELECTRICAL SPECIFICATION

Frequency Range	: 1565 - 1585 MHZ (L1)
VSWR	: $\leq 2.0:1$
Polarization	: RHCP
Axial ratio	: $\leq 3\text{dB}$ at bore sight
Impedance	: 50Ω
Gain	: 38dB
Power	: 1 Watt
Static Protection	: By DC Grounding



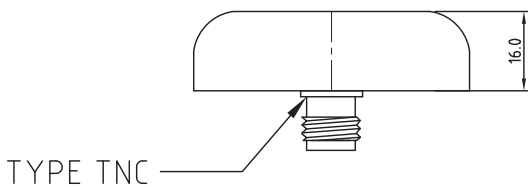
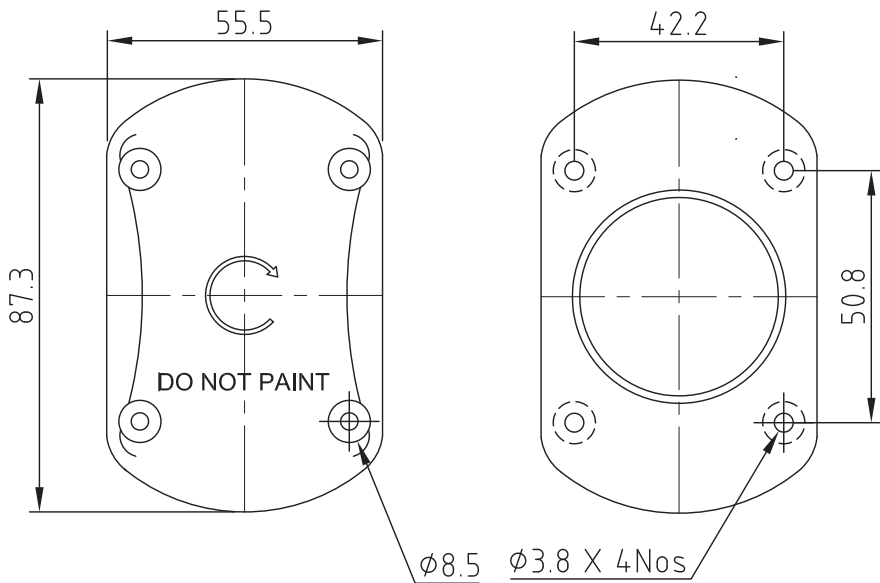
ENVIRONMENTAL SPECIFICATION

Temperature Range	: -40°C to $+90^{\circ}\text{C}$
Altitude	: 50,000 Feet
Generally in accordance with MIL-STD-810	

MECHANICAL SPECIFICATION

Weight	: 110 Grams (Max)
Height	: 17 mm (Max)
Colour	: White
Connector	: SMA Female Standard
Radome	: Reinforced Glass Epoxy

DRAWING SPECIFICATION FOR GPS ANTENNA S01D101-D6



All dimensions are in mm
Drawing not to scale

Four fixing hole with 3.8 mm diameter
Counter bored 8.5 mm



For installation use factory supplied drawings and instructions

Specifications are subjected to change without prior notice

Spectrum Antenna & Avionics Systems (P) Ltd, Cochin, India.

Contact for custom requirements

info@spectrumantennas.com

www.spectrumantennas.com