



UHF SATCOM Antenna S25B101-C3

S25B101-C3 is a high power low profile SATCOM antenna, designed for operating in the frequency band of 225-400MHz in the low angle and 240-400MHz in the high angle.

The antenna structure is a top loaded blade with two separate radiating elements located within a single rugged aerodynamic shell. The low angle vertically polarized blade could be utilized for air -to-ground communication and the circularly polarized high angle element could be utilized for SATCOM applications.

S25B101-C3 is suitable for various communication applications from a single foot print for supersonic and subsonic aerodynes with fixed wing or rotor wing.

ELECTRICAL SPECIFICATION

Frequency Range	: 225-400 MHz (Low Angle)
	: 240-400 MHz (High Angle)
VSWR	: 2.0:1 Low Angle
	: 1.5:1 High Angle
Impedance	: 50Ω
Polarization	: Vertical (Low Angle)
	: Circular (High Angle)
RF Power	: 200W CW
Isolation	: not less than 15 dB



ENVIRONMENTAL SPECIFICATION

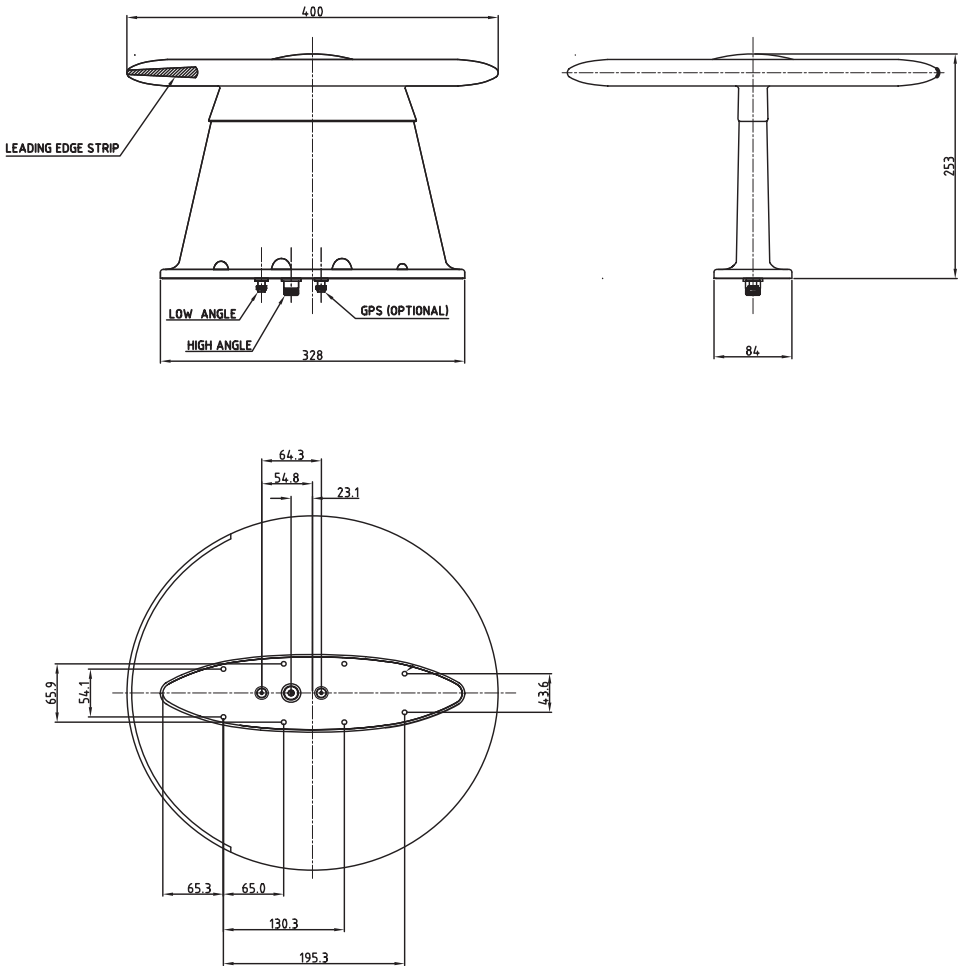
Temperature Range	: -54°C to +90°C
Altitude	: 60,000 Feet
Generally in accordance with MIL-STD-810	

MECHANICAL SPECIFICATION

Weight	: 2850 Grams (Max)
Height	: 253 mm (Max)
Colour	: Black
Finish	: Matt
Connector	: TNC Female (Low Angle)
	: N Female (High Angle)
Dimension	: Refer Drawing Overleaf

Contact for custom requirements

DRAWING SPECIFICATION FOR SATCOM ANTENNA S25B101-C3



All dimensions are in mm
Drawing not to scale

Eight fixing hole with 5.5 mm diameter
Counter-bored 12.7 mm



For installation use factory supplied drawings and instructions

Spectrum Antenna & Avionics Systems (P) Ltd, Cochin, India.

Contact for custom requirements

info@spectrumantennas.com

www.spectrumantennas.com